

STOMP BLOX EXTEND UNIVERSAL POWER SUPPLY EXTENSION

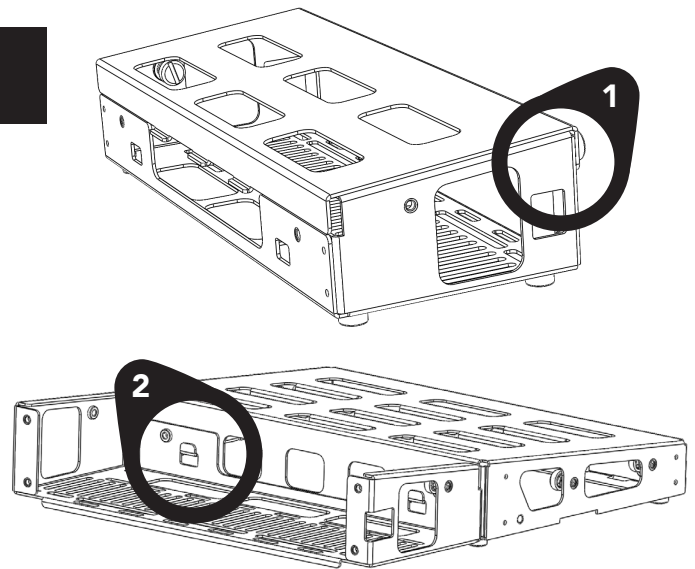
The Stompblox Extend is a dual purpose modular extension for your Stompblox pedalboard. Extend gives an extra 4.75" of depth to your pedalboard while providing an easy way to mount your effect pedal power supply. Extend easily connects to the back of a Stompblox modular pedalboard unit and expands your customization options.

INCLUDED IN THE BOX

- Stompblox Extend
- Velcro roll
- 2x support feet
- 4x mounting brackets
- 4x thumbscrews, 10-32 thread
- 4x screws, 4-40 thread
- 4x screws, 6-32 thread
- 4x locknuts, 4-40 thread
- 4x locknuts, 6-32 thread
- 4x washers

MOUNTING EXTEND

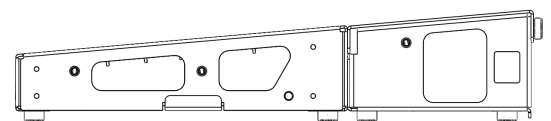
1. Remove or slide back the top cover by loosening the top back thumbscrews. It is not necessary to remove the top completely.
2. Align Stompblox tabs with Extend mounting slots.
3. Press and turn Stompblox thumbscrews into threads on the Extend and turn until tight.
4. Slide the Extend top cover back into place and tighten Extend thumbscrews.



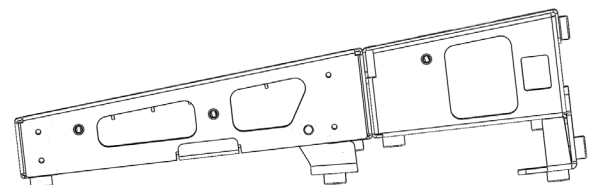
SUPPORT FEET INSTALL

The support feet are included for use when your Stompblox configuration needs additional support.

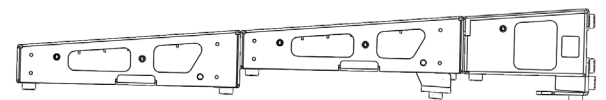
NO SUPPORT FEET	Mounted to a Stompblox that does not use swing out feet.
TALL ORIENTATION	Mounted to a single or single row of Stompblox that uses swing out feet.
SHORT ORIENTATION	Mounted to a Stompblox configuration that is two rows deep.



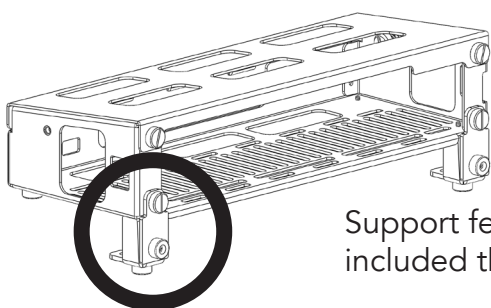
NO SUPPORT FEET



SUPPORT FEET - TALL POSITION



SUPPORT FEET - SHORT POSITION



Support feet attach with the included thumbscrews.